



DESCRIPTION



Capacity: 4 x 2/3 GN
 4 x 433x333
 4 x 1/1 GN
 4 x 60x40
 4 x 60x40 - 1/1 GN



Trays insertion: Cross wise



Dimensions: 700 x 740 x H 560 mm
 860 x 740 x H 560 mm



Control panel: Analogic



Indicative quantity of meals: --



Cooking chamber heating: Electric

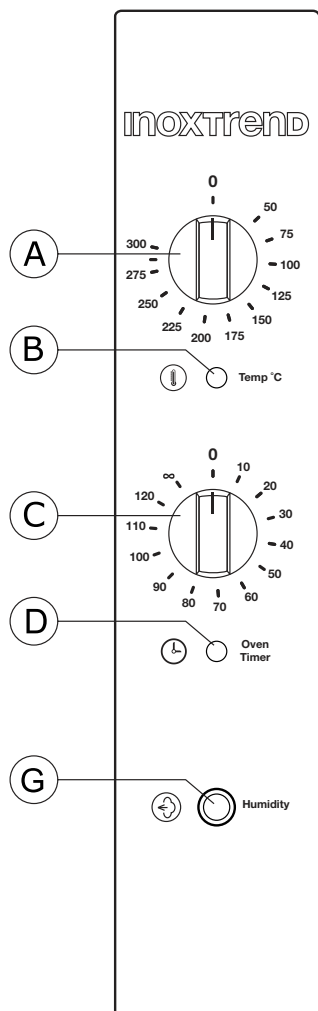


Steam generation: Direct system

COOKING MODES AND FUNCTIONING

	Convection mode	Temperature range between 50 °C and 300 °C
	Manual humidification	

COMPONENT DESCRIPTION ON THE ELECTRONIC CONTROL PANEL



(A)	Cooking chamber thermostat
(B)	Heating cooking chamber ON pilot light
(C)	Timer
(D)	Timer ON pilot light
(G)	Manual humidification

MANUFACTURING FEATURES

- Heating system located on the back side of the cooking chamber;
- Waterproof cooking chamber in stainless steel AISI 430;
- Cooking chamber with external welding;
- External covering panels made of satin stainless steel AISI 430;
- Base chassis made of stainless steel AISI 430;
- Heating elements made of stainless steel Incoloy 800;
- Thermal insulation of the cooking chamber in ceramics fibre;
- Cooking chamber fans made of stainless steel AISI 430;

OPTIONAL ACCESSORIES

Code	Description
S-33G8	Stand
SG-33G8	Stand with tray-slides
S-31G	Stand
S-31G8	Stand H 85 cm
SG-31G	Stand with tray holder

WATER SUPPLY

Water supply coupling	Ø ¾" gas
Water pressure	1.5 - 2.5 bar
Water hardness	4 - 12 °f = 40 - 120 ppm
Water conductivity	50 e 2000 µS/cm
Chlorine concentr. Cl₂	< 0.2 mg/litre
Chloride concentration	< 150 mg/litre
Water drain coupling	Ø 32 mm

DIMENSIONS 4 x 2/3 GN - 4 x 433x333

	OVEN	PACKAGE
Width	695 mm	
Depth (with door handle)	742 mm	
Height	564 mm	
Weight	40 kg	

DIMENSIONS 4 x 1/1 GN - 4 x 60x40

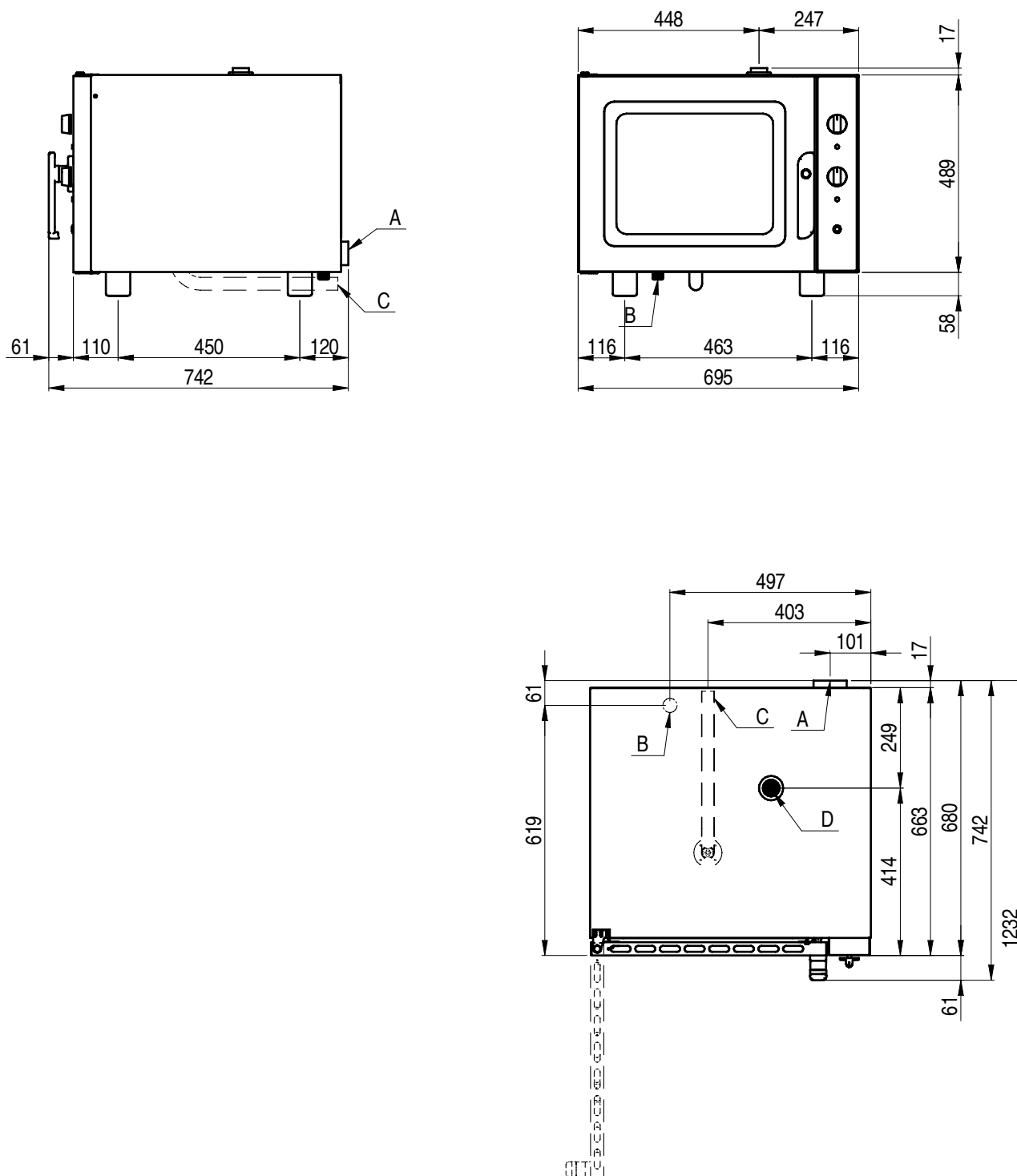
	OVEN	PACKAGE
Width	862 mm	
Depth (with door handle)	742 mm	
Height	564 mm	
Weight	59 kg	

POWER SUPPLY

Model	GUA-304EB	GUA-404EB	GUA-104EB	GUA-604EB	GUA-004EB
Power loading	2.8 kW	2.8 kW	6.4 kW	6.4 kW	6.4 kW
Chamber power	2.6 kW	2.6 kW	6.2 kW	6.2 kW	6.2 kW
Grill power	--	--	--	--	--
Power of the motors	n° 2 x 100 W	n° 2 x 100 W	n° 2 x 100 W	n° 2 x 100 W	n° 2 x 100 W
Max. power loading	2.8 kW	2.8 kW	6.4 kW	6.4 kW	6.4 kW
Voltage	220 - 240 V 1N ~ 50/60 Hz		380 - 415 V +3N ~ 50/60 Hz		
Absorbed current	4.0 A	4.0 A	11.0 A	11.0 A	11.0 A
Feed cable section	Electric cable included		n° 5 x 2.5 mm ²		

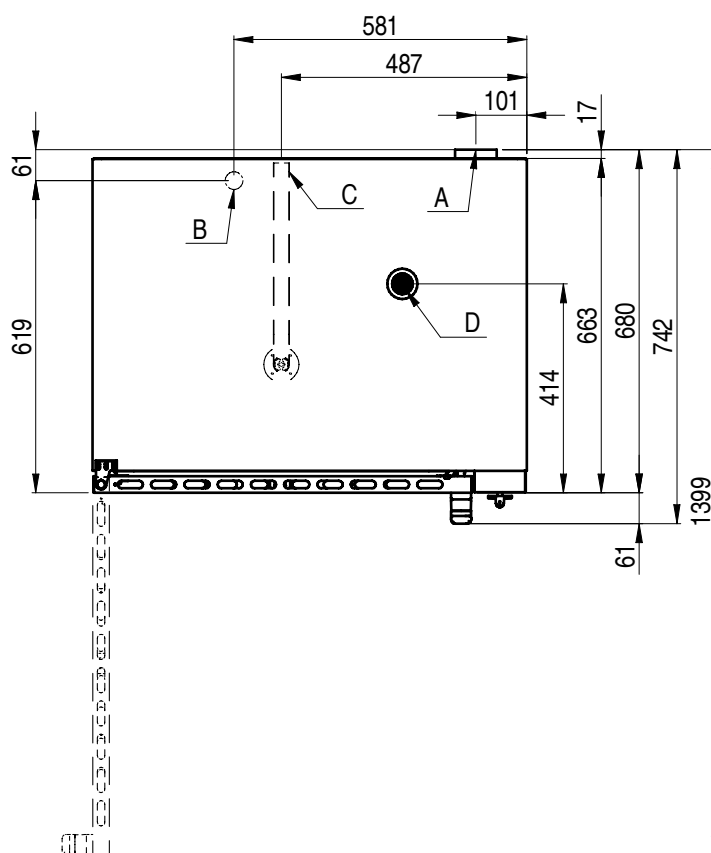
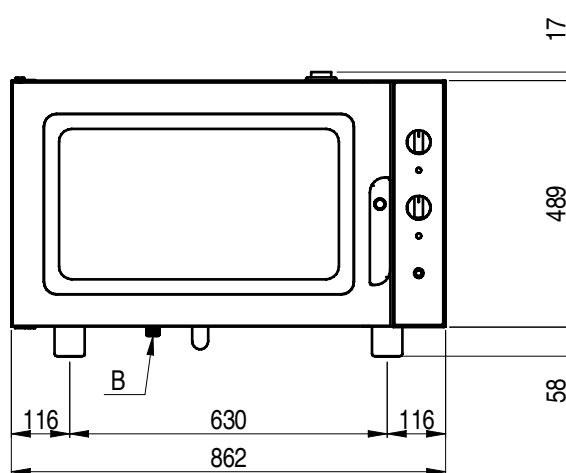
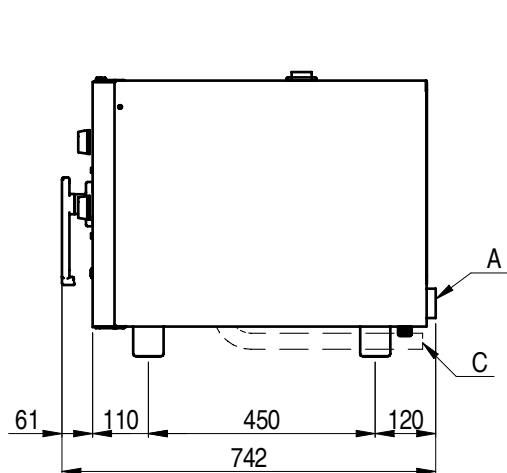
Capacity	4 x 2/3 GN	4 x 433x333	4 x 1/1 GN	4 x 60x40	4 x 60x40-1/1 GN
Pitch between trays	75 mm				

MODELS 304 - 404



- A Electrical cables connection
- B Water inlet Ø 3/4" gas
- C Water drain coupling
- D Cooking chamber release valve

MODELS 104 - 604 - 004



- A Electrical cables connection
- B Water inlet Ø 3/4" gas
- C Water drain coupling
- D Cooking chamber release valve